

13 12 11 10 9 8 7 6 5 4 3 2 1

MATERIALS AND FINISHES

BODY, COUPLING NUT ZINC ALLOY
PLATED NICKEL

CONTACT (PLUG) BRASS
CONTACT (JACK) PHOSPHOR BRONZE
PLATED GOLD

INSULATOR (PLUG & JACK) POLYPROPYLENE

OUTER CONTACT BRASS
PLATED NICKEL

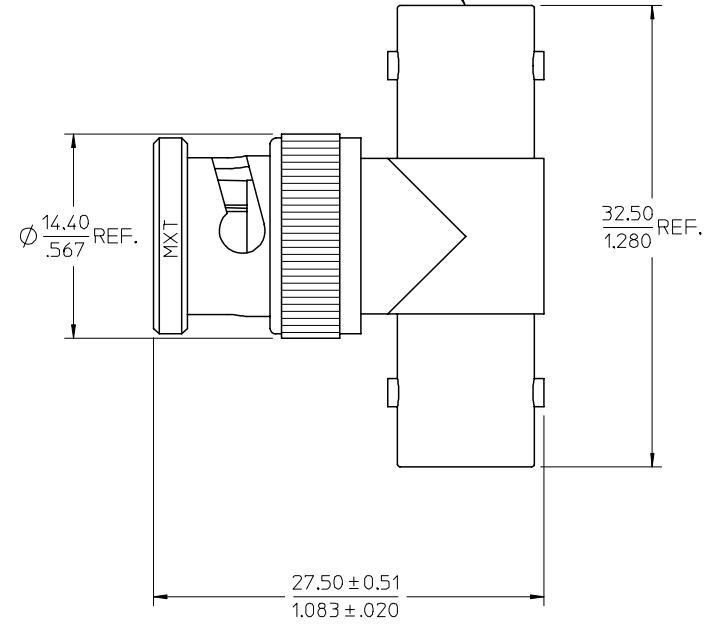
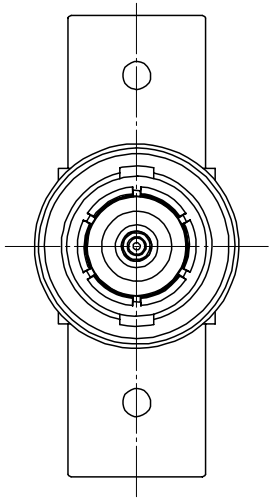
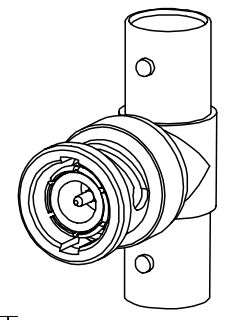
GASKET SILICONE RUBBER

RETAINING RING BRASS
PLATED NICKEL

WASHER BRASS
PLATED NICKEL

SPRING WASHER BERYLLIUM COPPER

CONNECTOR INTERFACE PER
MOLEX ENGINEERING STANDARD
ES-73599-0000 (3 PLACES)



PART # 73148-5003

PS-73598-0016	PRODUCT SPECIFICATION
ES-73599-0000-001	BNC PLUG INTERFACE
ES-73599-0000-000	BNC JACK INTERFACE
SPECIFICATION	DESCRIPTION

ADDITIONAL PACKAGING EC NO: URF2007-0510 DRAWN BY: DRW:WJL 2007/06/15 CHKD: 2007/06/21 APPR: MJIUANG 2007/06/21 D1	QUALITY SYMBOLS ▽=0 ▽=0	GENERAL TOLERANCES (UNLESS SPECIFIED)		DIMENSION STYLE MM/IN		SCALE	DESIGN UNITS METRIC	THIRD ANGLE PROJECTION	
		4 PLACES ± --- ± --- 3 PLACES ± --- ± --- 2 PLACES ± --- ± --- 1 PLACE ± --- ± --- ANGULAR ± 2 °	DRAWN BY DATE IRIS 1991/01/21 CHECKED BY DATE -- 1991/01/21 APPROVED BY DATE -- 1991/01/21	TITLE 50 OHM BNC TEE ADAPTOR (J-P-J) BNC-ADP/JPJ			MOLEX INCORPORATED		SHEET NO. 1 OF 2
DRAFT WHERE APPLICABLE MUST REMAIN WITHIN DIMENSIONS				MATERIAL NO. 731485003		DOCUMENT NO. SD-73148-5003		THIS DRAWING CONTAINS INFORMATION THAT IS PROPRIETARY TO MOLEX INCORPORATED AND SHOULD NOT BE USED WITHOUT WRITTEN PERMISSION	

12 11 10 9 8 7 6 5 4 3 2 1

13 12 11 10 9 8 7 6 5 4 3 2 1

J

I

H

G

F

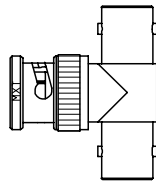
E

D

C

B

A

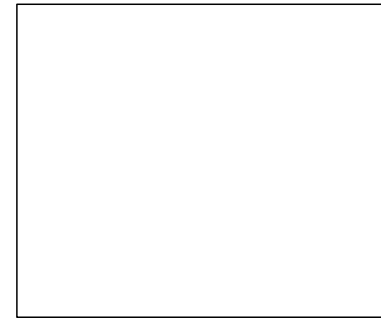


PART NO. 73148-5003

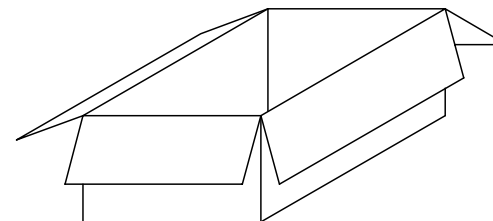
90 mm REF. * 102 mm REF.



1 SET PER BAG
(WITH MOLEX LOGO AND PART NO.)



50 SET PER BAG



500 SET PER CARTON BOX

SEE SHEET 1 FC NO: URF2007-0510 DRAWN BY: DRW:NELIN CHKD: APPR:MHUANG 2007/06/15 2007/06/21 2007/06/21	QUALITY SYMBOLS ▽=0 ▽=0	GENERAL TOLERANCES (UNLESS SPECIFIED)		DIMENSION STYLE MM/IN		SCALE	DESIGN UNITS METRIC	THIRD ANGLE PROJECTION			
		4 PLACES ± --- ± ---	3 PLACES ± --- ± ---	2 PLACES ± --- ± ---	1 PLACE ± --- ± ---	ANGULAR ± 2 °	DRAFT WHERE APPLICABLE MUST REMAIN WITHIN DIMENSIONS	DRAWN BY: IRIS CHECKED BY: -- APPROVED BY: --	DATE: 1991/01/21 DATE: 1991/01/21 DATE: 1991/01/21	TITLE 50 OHM BNC TEE ADAPTOR (J-P-J) BNC-ADP/JPJ	
		MATERIAL NO.			DOCUMENT NO.			SHEET NO.		MOLEX INCORPORATED	
		SEE SHEET 1			SD-73148-5003			2 OF 2		THIS DRAWING CONTAINS INFORMATION THAT IS PROPRIETARY TO MOLEX INCORPORATED AND SHOULD NOT BE USED WITHOUT WRITTEN PERMISSION	

12 11 10 9 8 7 6 5 4 3 2 1